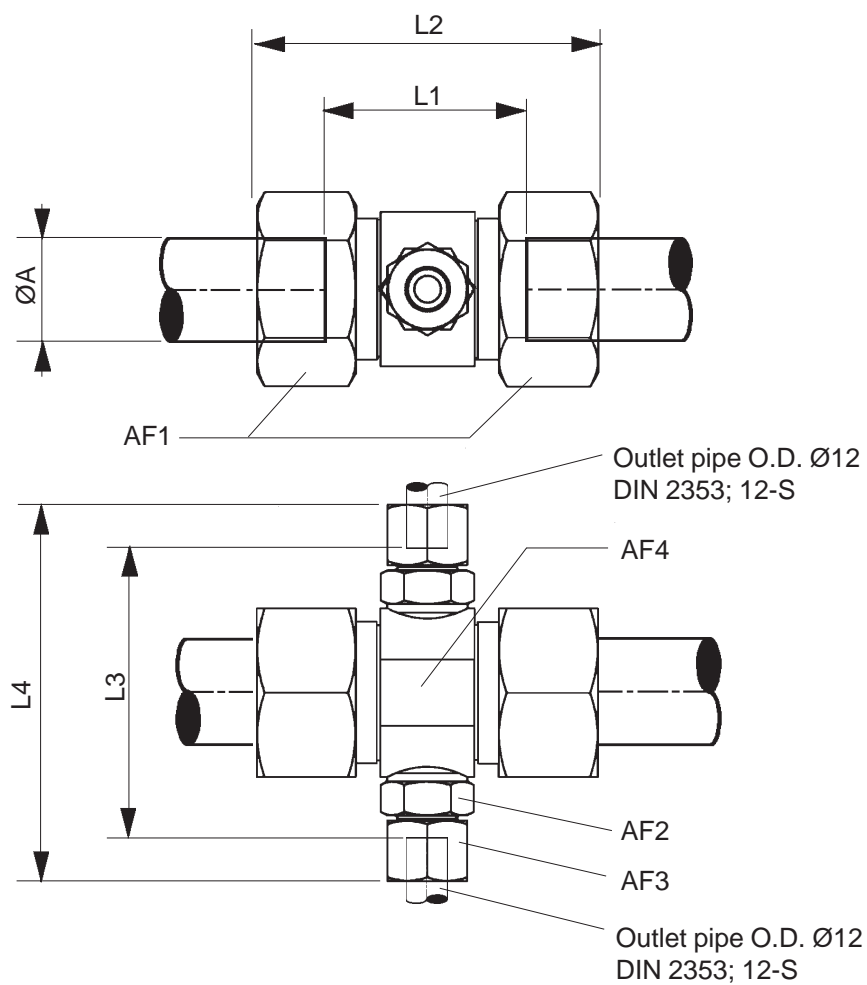


Product	Type	Mass	ØA	L1	L2	L3	L4	AF1	AF2	AF3	AF4
B03225	16S/1+1X12S	0,64 kg	16	41	76	76	106	36	24	24	36



<b>General</b>	Body material	Stainless steel
<b>Installation</b>	Connections	Cutting ring DIN 2353